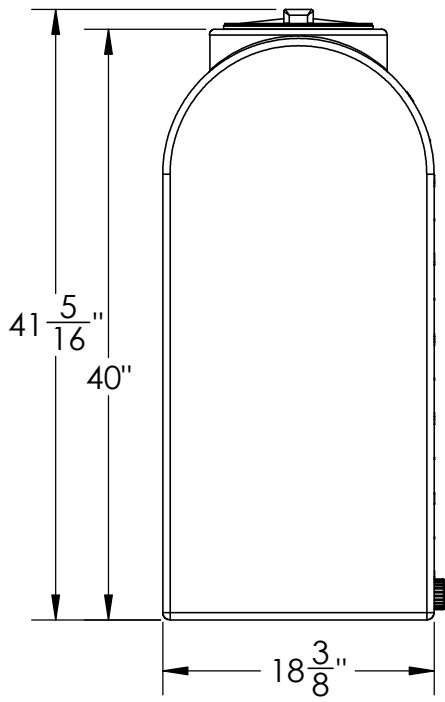
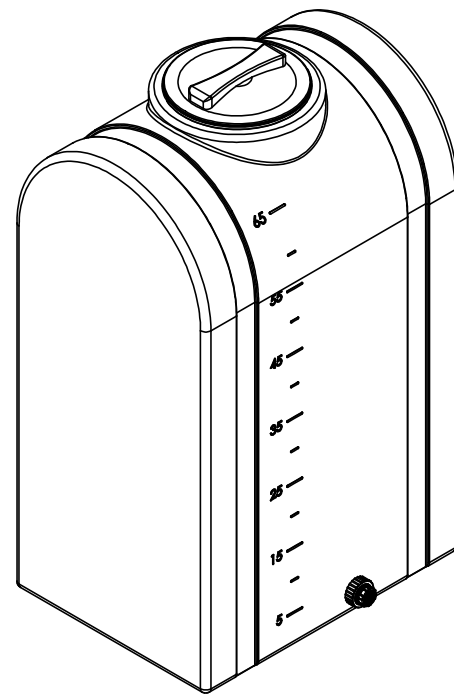
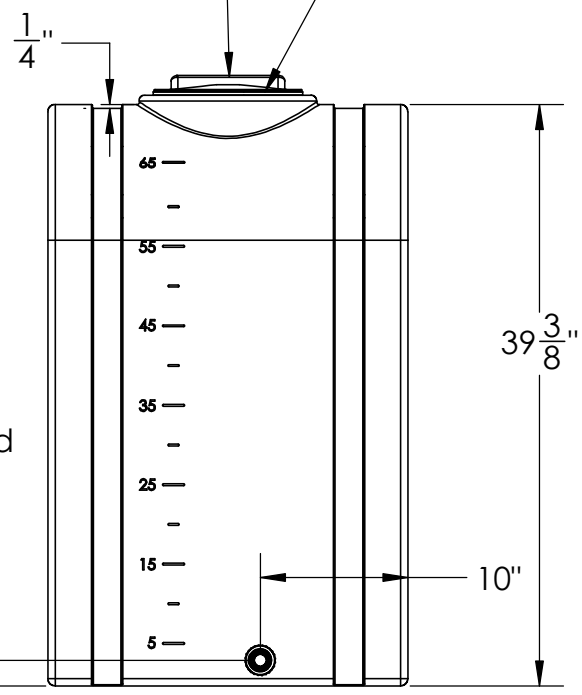


8" Lid Ring with Gasket #970326
 8" Closed Non-Vented Lid #970325



3/4" Bulkhead Fitting #970233



65 Gal Loaf Tank
 w/ Side Fitting &
 Gasketed Ring & Lid



1390 Neubrecht Road
 Lima, Ohio 45801

PROPRIETARY AND CONFIDENTIAL
 THE INFORMATION CONTAINED IN THIS DRAWING IS THE SOLE PROPERTY OF TAMCO. ANY REPRODUCTION IN PART OR AS A WHOLE WITHOUT THE WRITTEN PERMISSION OF TAMCO IS PROHIBITED.

MAX. OPERATING TEMP. 140°F
 INTERMITTENT SERVICE TO 160°F
 SEE CHEMICAL RESISTANCE CHART FOR COMPATABILITY

DIMENSIONS ARE IN INCHES TOLERANCE: ± 1/4"		NAME	DATE
MATERIAL	LLDPE - FDA resin	DRAWN	NJV 4/23/24
CAPACITY	65 Gallon	APPROVED	
GRADUATIONS	5 Gallon	REVISIONS	
NOMINAL WALL THICKNESS	3/16"	COMMENTS:	UV Stabilized Natural, Black

STOCK NO.
23637, 23639

REV
A

DO NOT SCALE DRAWING

WEIGHT: 28 lbs.